

ROLL DUMP HOPPERS



Pivot Style Shown



STANDARD FEATURES

- 12 Gauge Shell & Banding*
- 7 Gauge Channels & Skids*
- Pull Down Handle*
- Fully Welded Inside*
- Drain Plug*
- Safety Chain & Hooks*
- Primed In & Out*
- Painted Your Color*

Pivot Style Features

- Heavy Duty Design w/Center Banding*
- Pivot Axles w/Grease Fittings*
- Drop Front For Clean Dumping*
- Reinforced Pivot Points*

Track Style Features

- 10 Gauge Track Assembly w/"V" Guides*
- 7 Gauge Side Guides*
- Self Tilting & Self Return*
- Smooth Dumping Action*



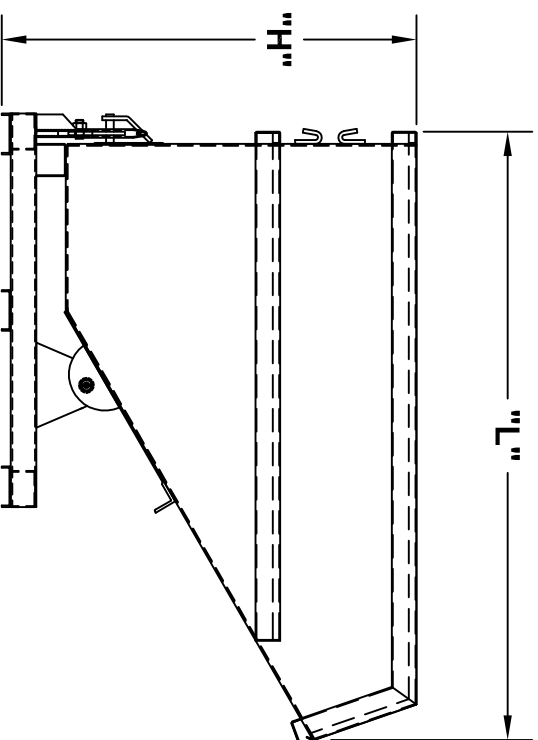
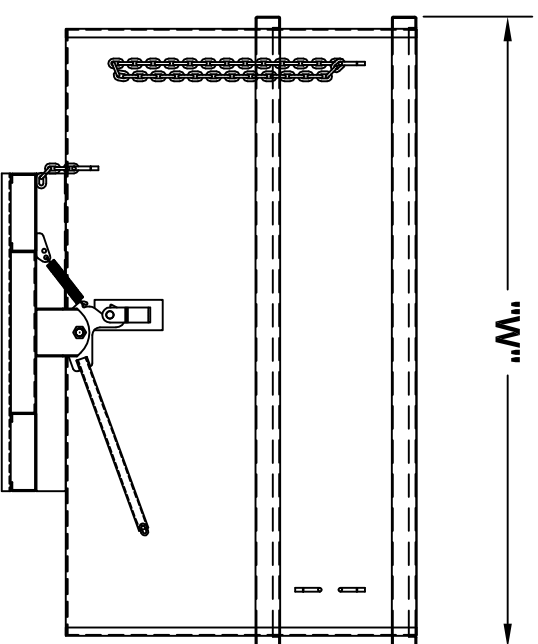
**Stockton Tri
Industries, Inc.**

SINCE
1976

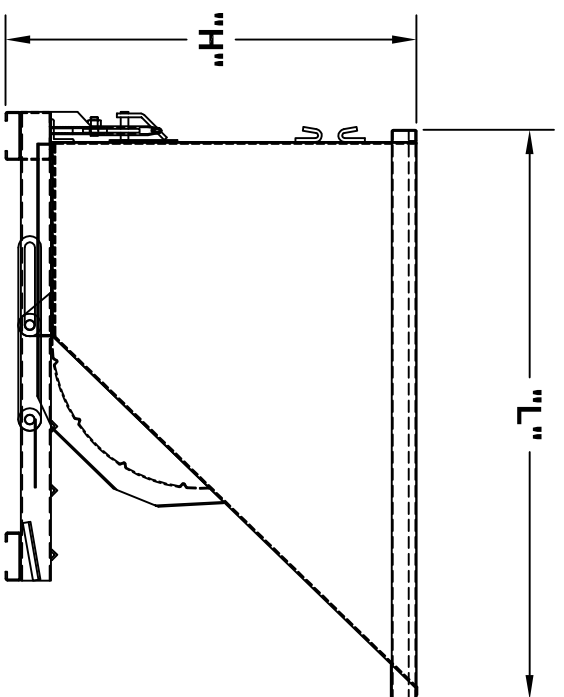
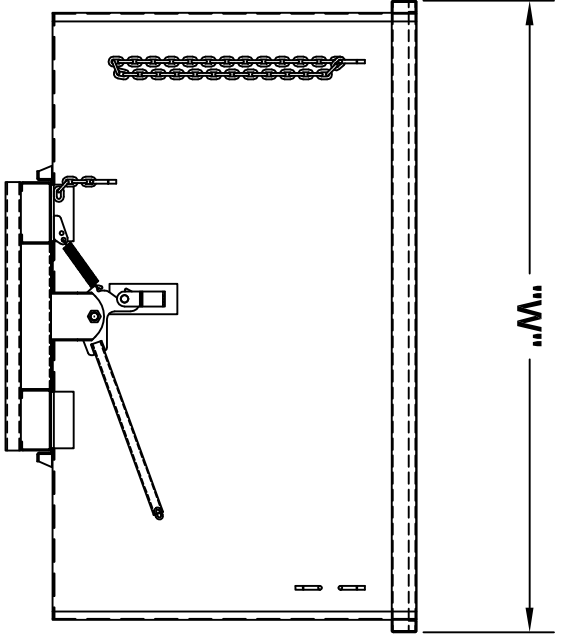
Custom Rolling, Bending & Forming ▲ Machining ▲ Industrial Coatings
Skids & Modules ▲ Piping ▲ Metal Fabrication ▲ Field Erection ▲ Engineering

www.stocktontri.com

2141 East Anderson Street, Stockton, CA 95205 ▲ PO Box 6097, Stockton, CA 95206 ▲ 209.948.9701 ▲ 209.948.2310 FAX



PIVOT STYLE			
SIZE Yds	WIDTH "W"	LENGTH "L"	HEIGHT "H"
1	41 1/8"	63 1/4"	38 1/4"
1 1/2	45"	66"	49"
2	63"	66"	49"
3	83"	66"	49"
4	83"	80"	54 3/4"



TRACK STYLE			
SIZE Yds	WIDTH "W"	LENGTH "L"	HEIGHT "H"
1	39"	56 1/2"	41 1/2"
1 1/2	57"	56 1/2"	41 1/2"
2	75"	56 1/2"	41 1/2"
3	63"	75"	53 1/2"
4	83"	75"	53 1/2"

OPTIONS

LIDS - Plastic-Metal-Special
 LID LOCKS - Manual - Auto - Special
 CASTERS - Rubber - Poly - Steel
 HEAVY GAUGE - 10 Ga - 7 Ga - 1/4" Plate
 PAINT & ID - Special Paint - ID Welds

These containers carry a 1 Year Mfr's warranty against defects and meet or exceed ANSI Z245.3 container safety requirements. Note: All specifications are subject to change without notice. Unless stated otherwise in writing, container sizes indicated are nominal sizes. Actual volume may vary from nominal sizes.