

# FRONTLOAD CONTAINERS



Manufactured by STI, Inc.



Manufactured by STI, Inc.

## STANDARD FEATURES INCLUDED

- Ribbed 14 Gauge Body
- Formed & Interlocking 12 Gauge Banding
- 11 Gauge Fork Pockets
- Plastic/Metal Lids
- Wrap-Around 7 Gauge Bumpers
- 1 1/2" Drain w/Plug
- 6" Mold-On Rubber Casters/10 Gauge Caster Plates
- All Seams Lap Formed
- Finished in *your* color

## CONTAINER OPTIONS

- LIDS - Metal/Apartment/Recycling
- LID LOCKS - Manual/Automatic
- CASTERS - Polyurethane/Steel/Pneumatic/Skids
- RECYCLING - Dividers/Baffles
- ID WELD -Serial#'s/Names/Capacities
- CHANNEL STRAP/COVERS - Entry Gussets/Special Bumpers
- TOWBARS/HITCHES



Manufactured by STI, Inc.



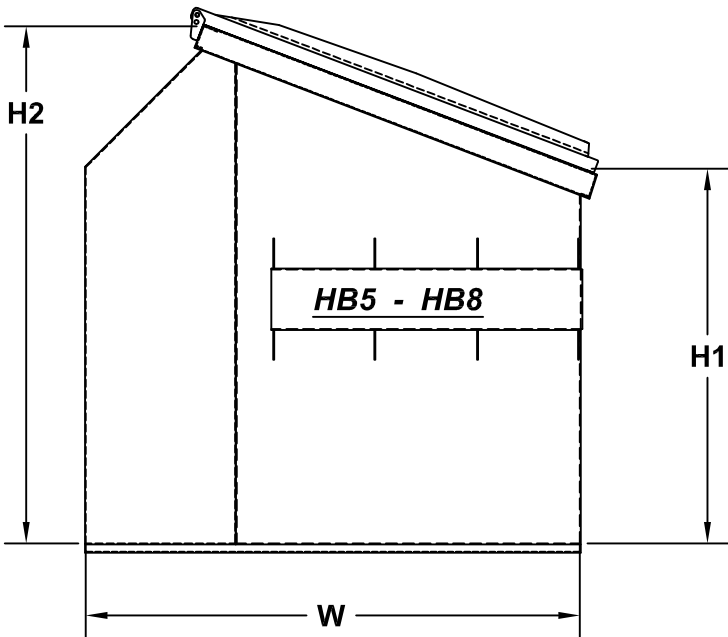
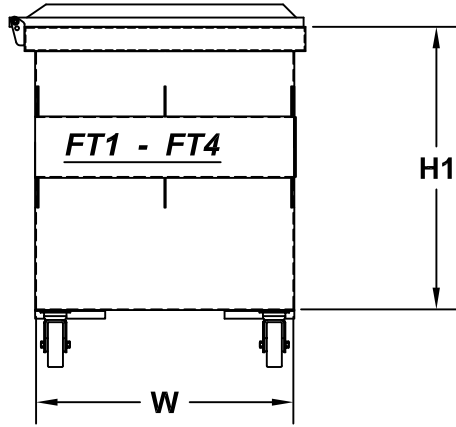
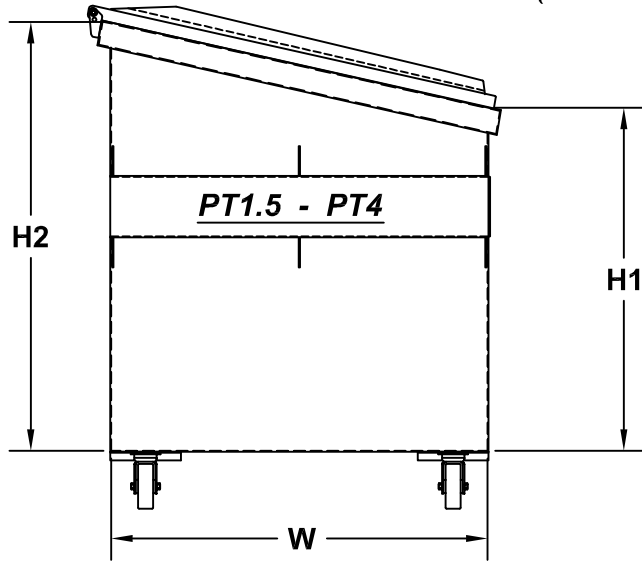
**SINCE 1976**

*Custom Rolling, Bending & Forming - Machining - Industrial Coatings  
Skids & Modules - Piping - Metal Fabrication - Field Erection - Engineering  
Refuse Container Fabrication & Repair - Millwrights*

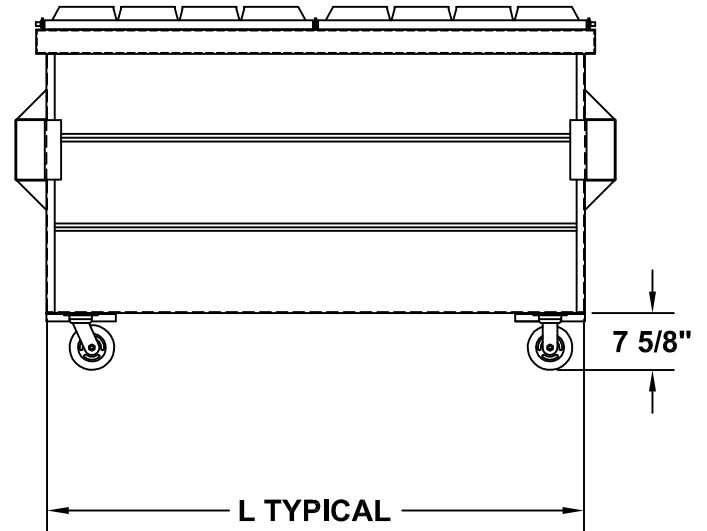
**2141 East Anderson Street, Stockton, CA 95205**  
**PO Box 6097, Stockton, CA 95206 209-948-9701**

**www.stocktontri.com**  
**209-948-2310 Fax**

Proud member of California Refuse & Recycling Council (CRRC), Solid Waste Association of North America (SWANA), Clara Mateo Garbage Association



DESC.	VOL	H1	H2	W	L	
PT1.5	1.5	29 1/2"	34 1/2"	29 1/2"	72"	
PT2	2	34 1/2"	41 1/2"	34 1/2"	72"	
PT3	3	41 1/2"	50 1/2"	41 1/2"	72"	
PT4	4	46"	57"	50 1/2"	72"	
FT1	1	28"		24"	72"	
FT2	2	38"		34 1/2"	72"	
FT3	3	46"		41 1/2"	72"	
FT4	4	50 1/2"		50 1/2"	72"	
HB5	5	47"	57"	67"	72"	
HB6	6	51"	70"	67"	72"	
HB7	7	55"	73"	72"	72"	
HB8	8	58"	87"	72"	72"	



These containers meet or exceed ANSI Z245.3 container safety requirements, and carry a 1 Yr. Warranty. Note: All specifications are subject to change without notice. Unless stated otherwise in writing, container sizes indicated are nominal sizes. Actual volume may vary from nominal sizes.